

Customer

Boat model

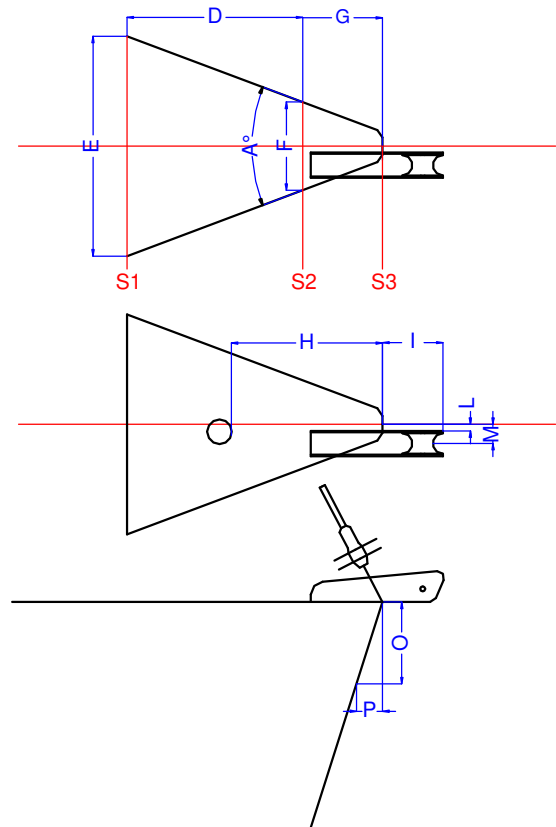
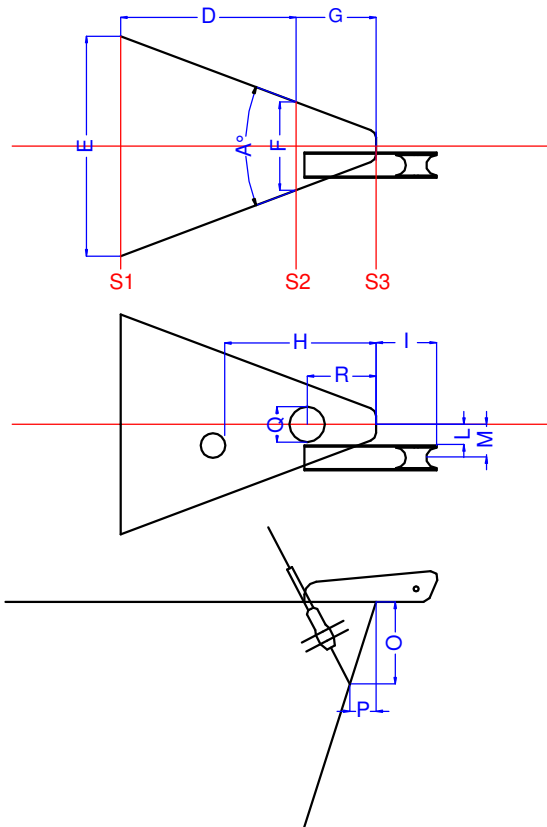
Year

Desired projection

UniBow model

Through deck Furler

Standard Furler



|  |    |
|--|----|
| Angle formed by the bow                            | A° |
| Distance between sections S1 and S2                | D  |
| Section width S1                                   | E  |
| Section width S2                                   | F  |
| Distance between S2 and extreme bow                | G  |
| Distance of the windlass                           | H  |
| Anchor bow roller protrusion                       | I  |
| Bow roller distance from the central axis          | L  |
| Distance of the chain anchor from the central axis | M  |
| Distance vertical forestay attack                  | O  |
| Distance horizontal forestay attack                | P  |
| Hole diameter Furler                               | Q  |
| Distance Hole Furler from the bow                  | R  |

|               |         |
|---------------|---------|
| Anchor model  |         |
| Anchor weight |         |
| Anchor side   | DX   SX |

|      |
|------|
| Note |
|      |
|      |
|      |
|      |
|      |
|      |
|      |

Contact technical department: Gold Service SAS via Bagnolo 43 48125 Casemurate Ravenna Italia  
 Mail - info@goldservicerigging.it