

Contatto Ufficio tecnico:

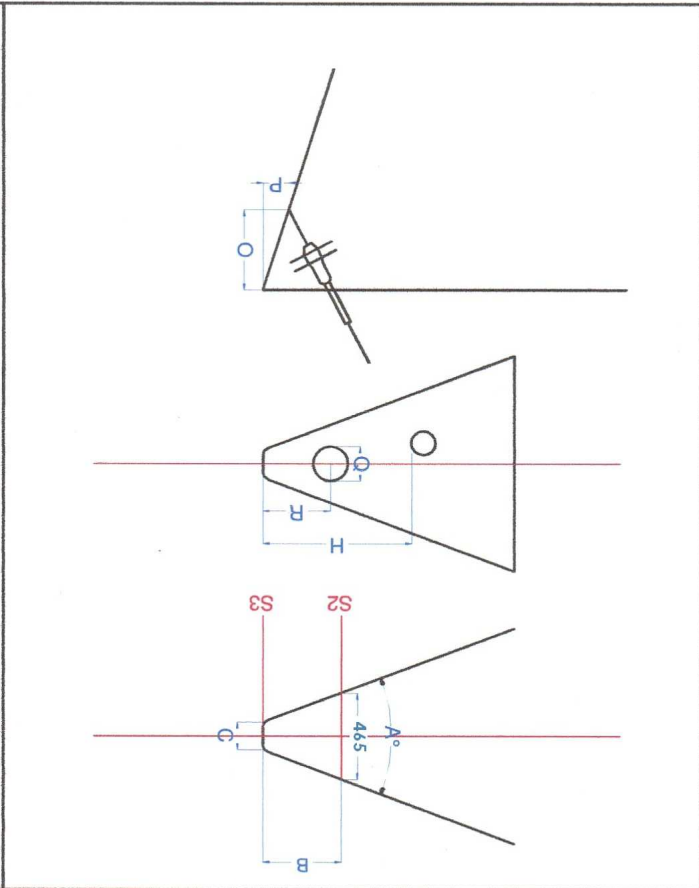
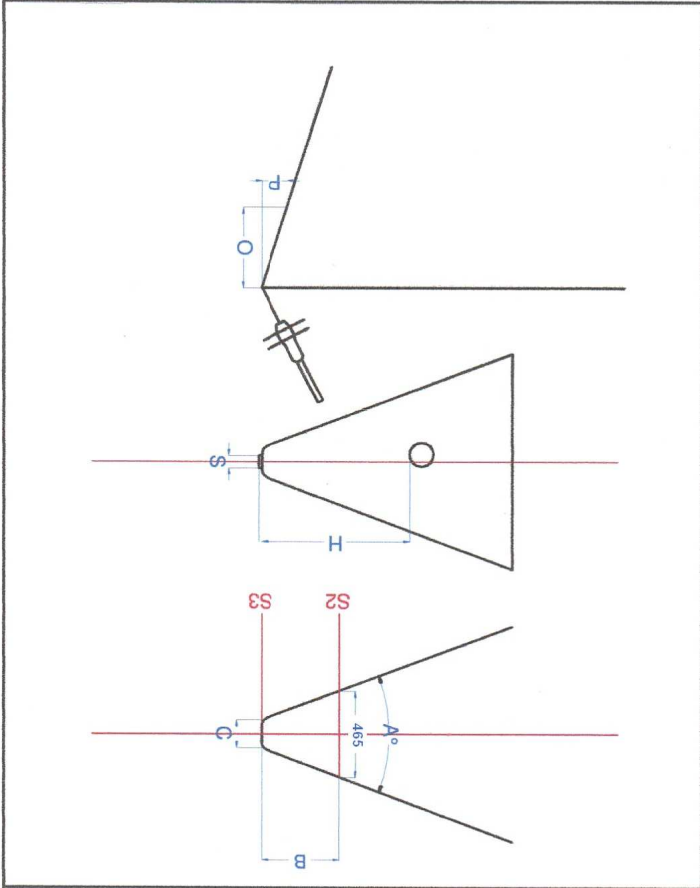
Gold Service SAS via Bagnolo 43 48125 Casemurata Ravenna Italia

Tel. 0544-554341 Cell. 338 6305338 Mail info@goldservicesrigging.it

Angle formed by the bow	A°
Distance between S2 and the bow of the hull	B
bow width	C
width of the Chain Plate	S
Distance of the windlass	H
Distance vertical forestay attack	O
Distance horizontal forestay attack	P
Hole diameter Furler	Q
Distance Hole Furler from the bow	R

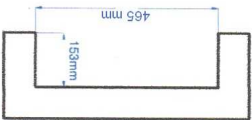
Note	

Anchor model	
Anchor weight	
Anchor side	DX SX



To determine the position of S2, create a stiff cardboard or plywood template as figure

ATTENTION section S2 must be detected where the width is 465 mm



Standard Furler

Through deck Furler

Desired projection

UniBow model

Boat model

Year

Customer



MEASUREMENT SHEET FOR UniBow RUN 50

